

SGM3S Moulded Case
Circuit Breaker

THERMAL ADJUSTABLE TYPE



SGM3S-160L

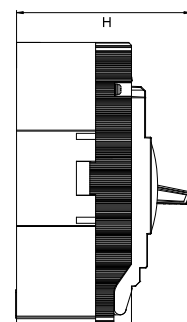
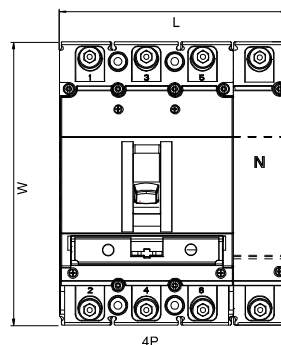
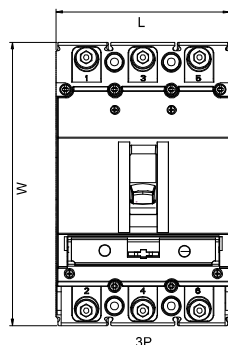


SGM3S-250L

Frame Size	125	160	250			
Model	SGM3S-125	SGM3S-160	SGM3S-250			
Number of poles	3,4	3,4	3,4			
Rated Current(A) In	16,20,25, 32,40,50, 63,80,100, 125	63,70,75,80, 90,100,125, 140,150,160	100,125,140 150,160,175, 180,200,225 250			
Thermo-adjustable setting(Ir)In	0.8/0.9/1.0In					
Standard	IEC60947-2					
Reference temperature	40°C/55°C					
Rated insulation voltage Ui (V)	800					
Rated impulse withstand voltage Uimp (kV)	8					
Breaking capacity level	L	M	L	M	L	M
Rated ultimate short-circuit breaking capacity Icu(kA)	25	36	36	50	36	50
Rated service short-circuit breaking capacity Ics(kA)	18	27	27	36	27	36
Mechanical Endurance	8500	8500	7000			
Electrical Endurance	1500	1500	1000			
Fixed magnetic trip	■	■	■			
Adjustable magnetic trip	■	■	■			
Installation						
Straight extension bars(FB)	■	■	■			
Spread extension bars(FB)	■	■	■			
Cable clamps	■	■	■			
Rear connection(RC)	■	■	■			
Phase barrier	■	■	■			
Dimensions mm(L x W x H)	3P	75x132.5x81.5	L:92x150x90 M:92x150x108	L:106x165x109 M:106x165x128		
	4P	100x132.5x81.5	L:122x150x90 M:122x150x108	L:141x165x109 M:141x165x128		

“■” shows it has this option;

“-” means it has no this option.



SGM3S Moulded Case
Circuit Breaker

THERMAL ADJUSTABLE TYPE



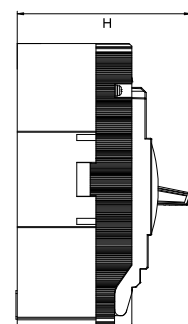
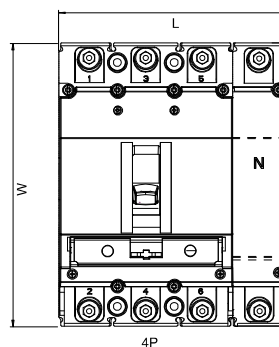
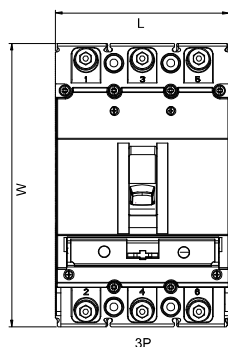
SGM3S-400M



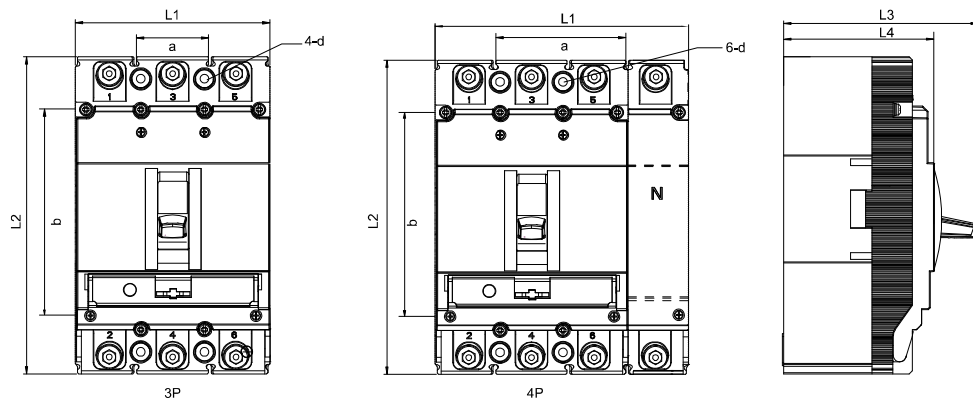
SGM3S-630M

Frame Size	400	630	800			
Model	SGM3S-400	SGM3S-630	SGM3S-800			
Number of poles	3,4	3,4	3,4			
Rated Current(A) In	225,250, 280,300, 315,350, 400	400,500, 630	630,700, 800			
Thermo-adjustable setting(Ir)In	0.8/0.9/1.0In					
Standard	IEC60947-2					
Reference temperature	40°C/55°C					
Rated insulation voltage Ui (V)	800					
Rated impulse withstand voltage Uimp (kV)	8					
Breaking capacity level	M	H	M	H	M	H
Rated ultimate short-circuit breaking capacity Icu(kA)	65	85	65	85	65	85
Rated service short-circuit breaking capacity Ics(kA)	50	60	50	60	50	60
Mechanical Endurance	4000	4000	2500			
Electrical Endurance	1000	1000	500			
Fixed magnetic trip	■	■	■			
Adjustable magnetic trip	—	—	—			
Installation						
Straight extension bars(FB)	■	■	■			
Spread extension bars(FB)	■	■	■			
Cable clamps	■	■	■			
Rear connection(RC)	■	■	■			
Phase barrier	■	■	■			
Dimensions	3P	150x257x149	182x270x155	210 x280x160		
mm(L x W x H)	4P	198x257x149	240x270x155	280 x280x160		

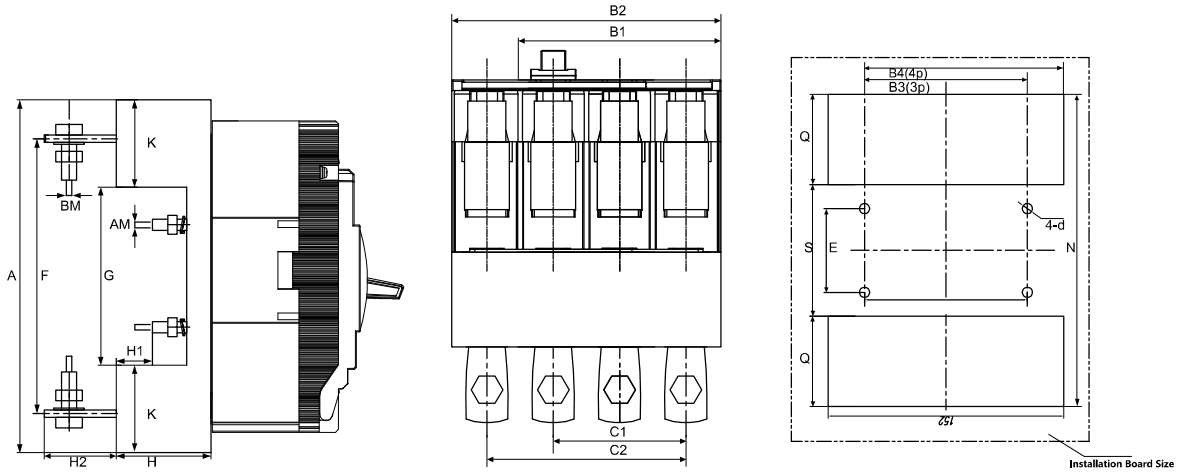
“■” shows it has this option;
“—” means it has no this option.



OUTLINE AND INSTALLATION DIMENSION



Applicable frame size	Poles	Outline Dimension				Installation Dimension		
		L1	L2	L3	L4	a	b	d
SGM3/3S-125L	3	75	132.5	81.5	66.5	25	111	Ø3.5
	4	100	132.5	81.5	66.5	50	111	Ø3.5
SGM3/3S-125M	3	75	132.5	81.5	66.5	25	111	Ø3.5
	4	100	132.5	81.5	66.5	50	111	Ø3.5
SGM3/3S-160L	3	92	150	90	72	30	129	Ø4.5
	4	122	150	90	72	60	129	Ø4.5
SGM3/3S-160M	3	92	150	108	90	30	129	Ø4.5
	4	122	150	108	90	60	129	Ø4.5
SGM3/3S-250L	3	106	165	109	91	35	126	Ø4.5
	4	141	165	109	91	70	126	Ø4.5
SGM3/3S-250M	3	106	165	128	109	35	126	Ø4.5
	4	141	165	128	109	70	126	Ø4.5
SGM3/3S-400M	3	150	257	149	114	44	194	Ø7
	4	198	257	149	114	94	194	Ø7
SGM3/3S-400H	3	150	257	149	114	44	194	Ø7
	4	198	257	149	117	94	194	Ø7
SGM3/3S-630M	3	182	270	155	120	58	200	Ø7
	4	240	270	155	120	116	200	Ø7
SGM3/3S-630H	3	182	270	155	120	58	200	Ø7
	4	240	270	155	120	116	200	Ø7
SGM3/3S-800M	3	210	280	160	125	70	243	Ø7
	4	280	280	160	125	140	243	Ø7
SGM3/3S-800H	3	210	280	160	125	70	243	Ø7
	4	280	280	160	125	140	243	Ø7



Plug in type Outline and Installation Dimension

Applicable frame size	Outline and Installation Dimension																			
	A	B1	B2	C1	C2	E	F	G	K	H	H1	H2	N	S	Q	B3	B4	AM	BM(T)	4-d
SGM3/3S-160	169	91	125	60	90	56	132	92	38	50	33	28	178	92	48	101	135	M6	M8	Ø6.5
SGM3/3S-250	186	107	145	70	105	54	145	94	46	50	33	37	196	93	56	117	155	M6	M8	Ø6.5
SGM3/3S-400	280	149	200	60	108	129	224	170	55	60	38	46	290	160	65	159	210	M8	M12	Ø8.5
SGM3/3S-630	300	182	242	100	158	123	234	170	65	60	39	50	310	160	75	192	252	M8	M12	Ø8.5
SGM3/3S-800	305	210	280	90	162	146	242	181	62	87	60	22	315	171	72	220	290	M10	M14	Ø10