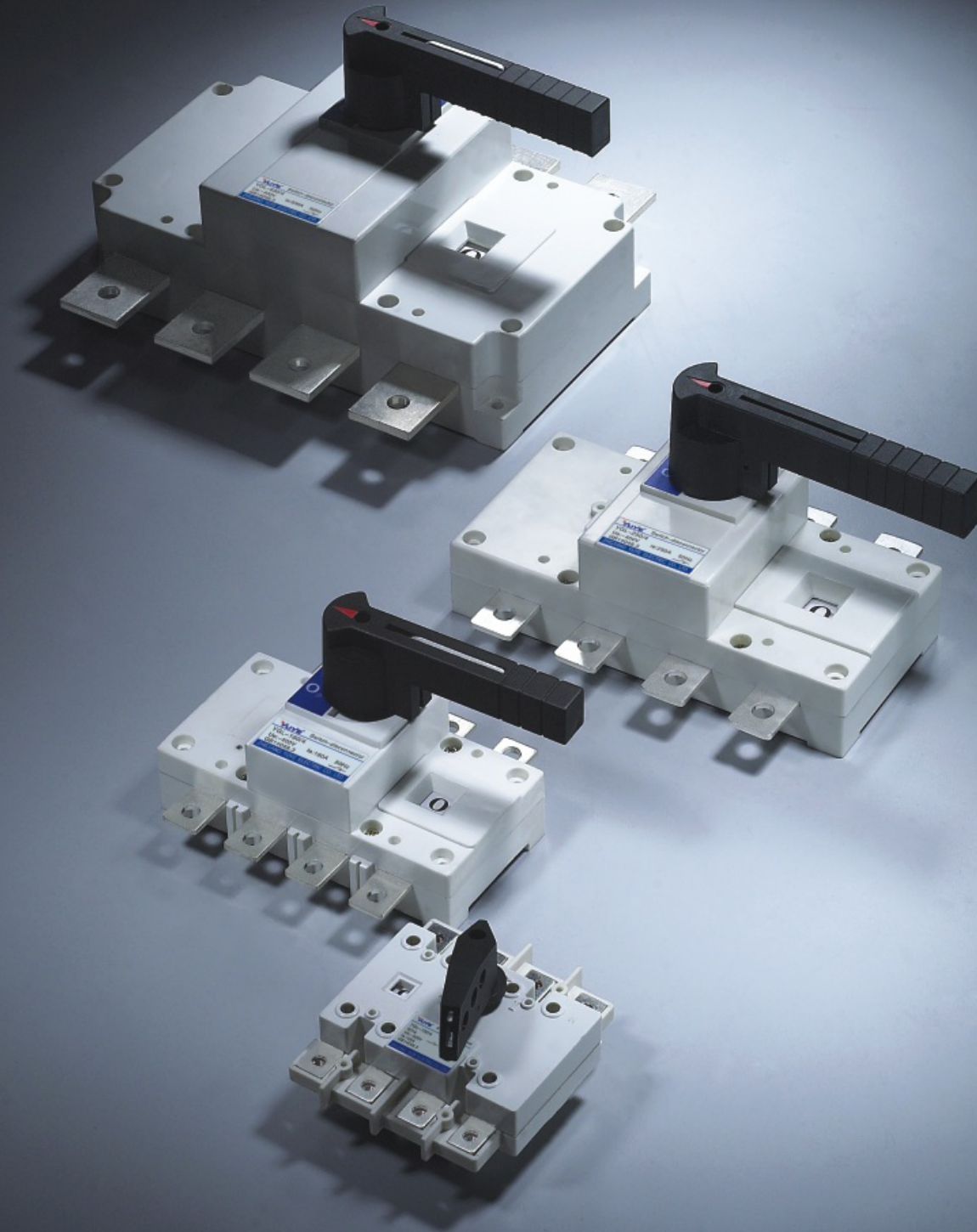


YGL

Series Load-isolation switch

YGL-63~3150A

Series Load-isolation Switch



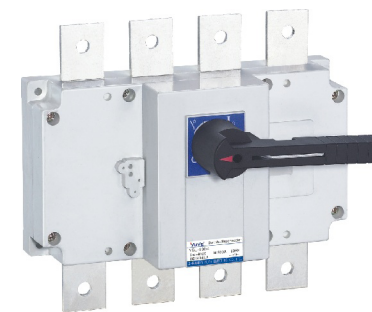
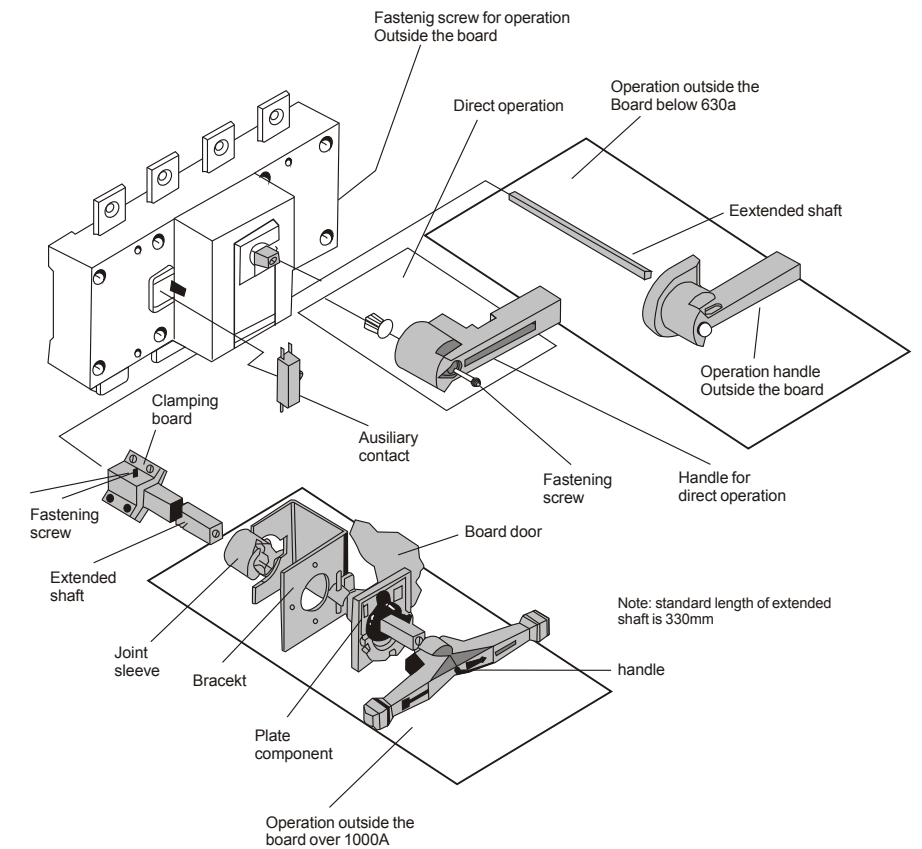
General

YGL series Load isolation switch can be divided into 18 specs from 125A to 4000A, it is the basic type of module design, it has three poles and four poles (three poles + switch neutral pole), applied to make and break circuit or electric isolate, over 1000A is only for electric isolation.

Symbol window on front face indicates the contact on-off state.

Operation mode

- Direct operation: The handle is installed in the middle of switch directly.
- Operate outside of cabinet: The handle is installed outside of distribution cabinet.
- It can be assembled two groups auxiliary contacts.



YGL-63~3150A

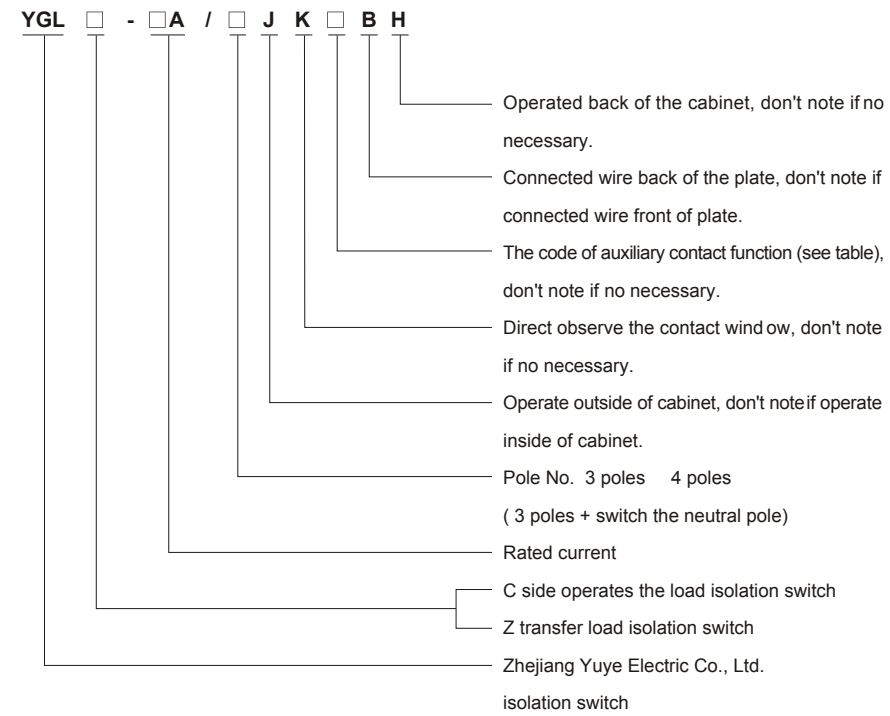
Series Load-isolation Switch



Application

AC 50Hz, rated voltage 660V, DC rated voltage 440V, rated current 1600A. It is used for making and breaking circuit infrequently.

Model and meaning



One NO and one NC	11	NO+NC
Two NO and Two NC	22	2NO+2NC

Example for lecto type: Rated current 630A, include neutral pole transferring load isolation switch, YGLZ-630A/4J for operating outside of cabinet

Service environment

- YGL load-isolation switch can operate under the following conditions
 - Altitude not more than 2000m;
 - The range of ambient temperature is from 5°C to 40°C;
 - Relative humidity not more than 95%;
 - The environment without any explosive medium.
 - The environment without any rain or snow attacking.
- Note: If the product is expected to be used in the environment where temperature is over +40 °C or below -5°C~-45°C, user's shall tell it to the manufacturer.

YGL-63~3150A

Series Load-isolation Switch

YGL-63~3150A Electrical Properties and Mechanical Properties

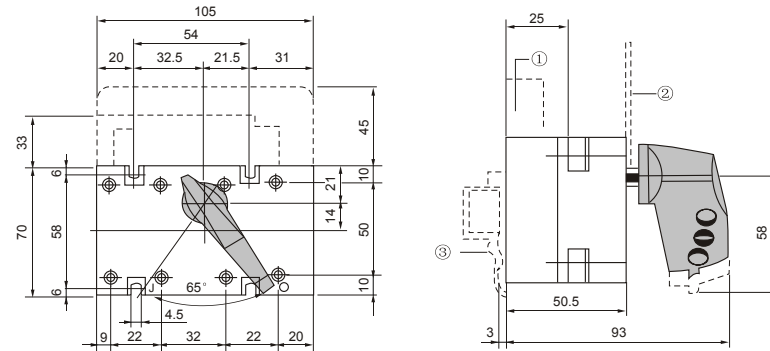
Conventional heating current (Ith A)	40A	63A	80A	100A	125A	160A	200A	250A	315A	400A	500A	630A	1000A	1250A	1600A	2000A	2500A	3150A		
Rated insulation voltage (Ui V)	40	63	80	100	750	750	750	750	1000	1000	1000	1000	1000	1000	1000	1000	1000	1000		
Dielectric strength (V)	5000	5000	5000	5000	5000	5000	5000	5000	8000	8000	8000	8000	10000	10000	10000	10000	10000	10000		
Rated impaction withstand voltage Uimp KV (Installation sort IV)	6	6	6	6	8	8	8	8	12	12	12	12	12	12	12	12	12	12		
Rated working current Ie(A)	400V	AC21B	40	63	80	100	125	160	200	250	315	400	500	630	1000	1250	1600	2000	2500	3150
		AC22B	40	63	80	100	125	160	200	250	315	400	500	630	1000	1250	1600	2000	2500	2500
		AC23B	40	63	80	100	125	160	200	250	315	340	425	500	800	1000	1250	1250	1250	1250
	750V	DC21	40	63	80	100	125	160	160	200	315	400	400	500	1000	1000	1600	2000	2500	3150
		DC22	40	63	80	100	125	160	160	160	315	315	315	315	800	800	800	2000	2000	2000
	220V	DC23	20	20	40	50	80	80	100	125	125	125	125	400	400	500	1000	1000	1000	1000
		AC21B	40	63	80	100	125	160	200	250	315	400	500	630						
		AC22B	40	63	80	100	125	160	200	250	315	400	400	500						
	440V	AC23B	35	50	65	80	125	125	160	200										
		DC21	35	50	65	80	100	125	160	200	315	400	400	500						
		DC22	35	50	65	80	100	125	160	200	315	400	400	500						
	Motor power P(KW)	400V	25	35	45	55	63	80	100	132	160	220	280	315	560	560	560	710	710	710
750V		20	30	40	45	75	75	90	110	185	185	185	185	475	475	475	750	750	750	
Overload capacity																				
Rated short-time withstand current Icw(KA Rms)0.1S/1.0S		0.756	0.756	1.2	1.2	20/10	20/10	30/12	30/12	45/20	45/20	50/25	50/25	90/50	90/50	90/50	90/50	90/50	90/50	
Making and breaking capacity																				
Rated making capacity Icn (A Rms) AC23B 400V		400	630	800	1000	1250	1250	2000	2000	3150	4000	4000	4000	10000	10000	10000	10000	10000	10000	
Rated breaking capacity Icm (A Rms) AC23B 400V		320	504	640	800	1000	1000	1600	1600	2500	3200	3200	3200	8000	8000	8000	8000	8000	8000	
Rated short-circuit making capacity Icm (KA peak value)		1.066	1.066	1.7	1.7	12	12	17	17	30	30	40	40	70	70	70	70	70	70	
Mechanical life (rotation operation time)		10000	10000	10000	10000	10000	10000	10000	10000	5500	5500	5500	5500	4000	4000	3000	2500	2500	2500	
Electrical life (rotation operation time)																				
Rated voltage Ue=750V	COS φ =0.95 AC21B	3000	3000	3000	3000	1500	1500	1500	1500	750	750	750	750	600	600	450	400	400	350	
	COS φ =0.65 AC22B	2000	2000	2000	2000	1000	1000	1000	1000	500	500	500	500	400	400	300	200	200	200	
	COS φ =0.35 AC23B	1000	1000	1000	1000	500	500	500	500	250	250	250	250	200	200	150	100	100	100	
Operation moment (Nm)		2.5	2.5	4	6.5	4	6.5	10	10	14.5	14.5	14.5	14.5	27	27	27	60	60	60	
Weight (Kg)	3 poles	0.37	0.37	0.37	0.37	1	1	2	2	3.5	3.5	4	4	10.5	10.5	16	31	31	42	
	4 poles	0.41	0.41	0.41	0.41	1.5	1.5	2.5	2.5	4	4	4.5	4.5	13	13	20	40	40	49	

YGL-63~315A

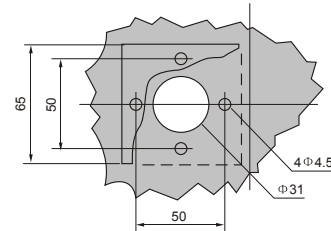
Series Load-isolation Switch

YGL-63~100A Outline and installation dimensions

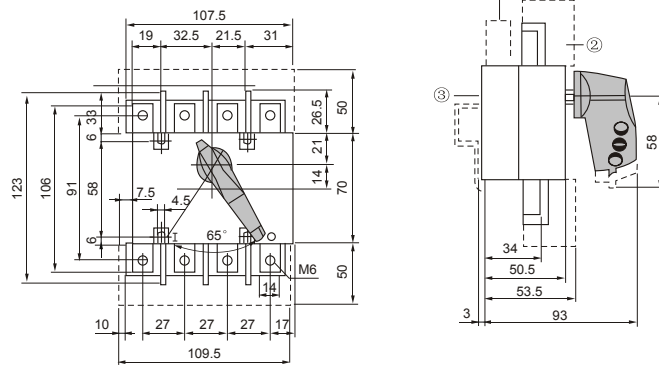
- YGL-40~63A
Front direct operation



Front operation outside the cabinet

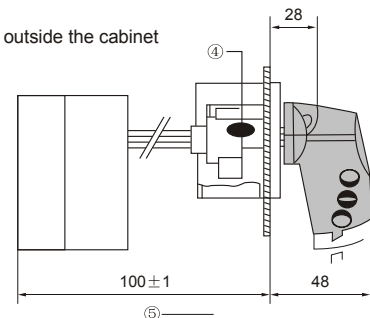


- YGL-80~100A
Front direct operation



- Pre-breaking auxiliary contact
- Terminal barrier
- Clamp for fixing DIN rail

Front operation outside the cabinet

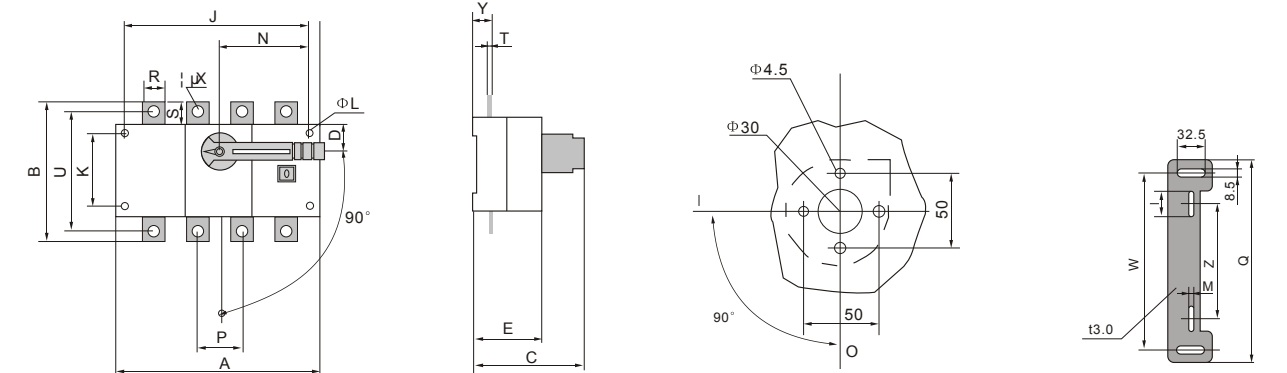


- The width of sliding dead bolt of handle lock is 30mm.
- The min length of extension shaft is 125±1

YGL-63~315A

Series Load-isolation Switch

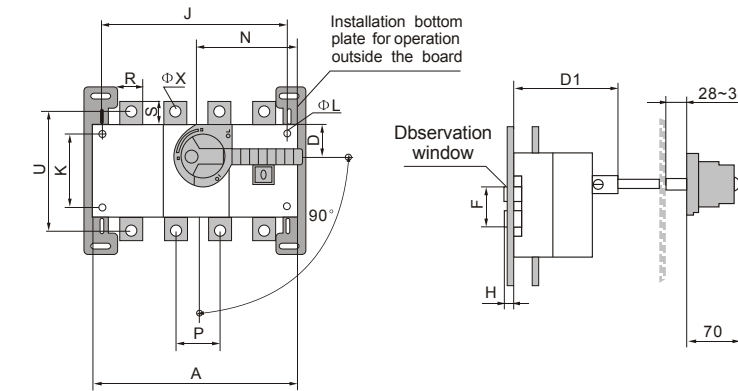
YGL-125~630A Outline and installation dimensions



Direct operation of YGL -125~630A

Installation size of handle seat outside board

Installation bottom plate for operation outside the board



Operation outside YGL -125~630A/JK board

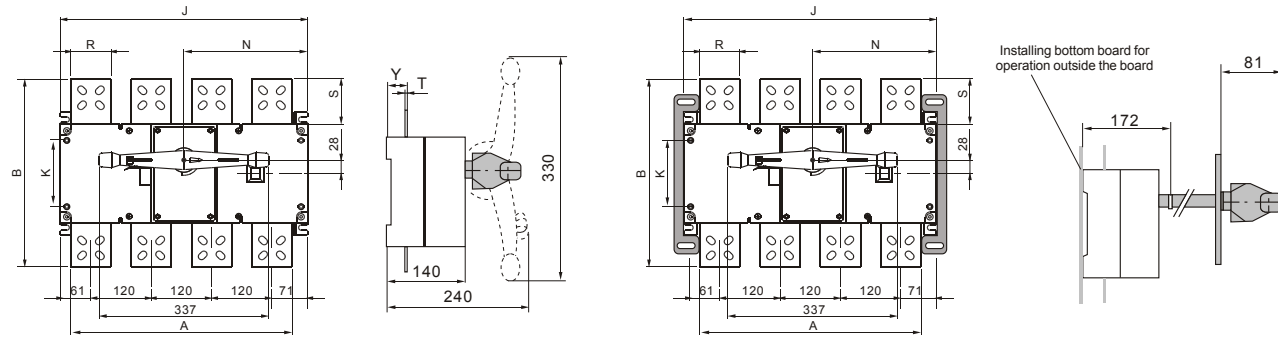
Specification	Dimension of Bottom Board				
	I	M	Z	W	Q
YGL-125A	55	5.5	85	190	218
YGL-160A	55	5.5	85	190	218
YGL-200A	55	5.5	85	190	218
YGL-250A	55	5.5	85	190	218
YGL-315A	60	6.5	130	240	270
YGL-400A	60	6.5	130	240	270
YGL-500A	60	6.5	130	240	270
YGL-630A	60	6.5	130	240	270

Specification	External Dimension and Installation Dimension																		
	A	B	C	D	D1	E	ΦL	J	K	N	P	R	S	T	U	ΦX	Y	F	H
YGL-125A/3	140	135	120	27	93	73	5.5	120	65	85	36	20	25	3	114	10	24	49	10
YGL-125A/4	170	135	120	27	93	73	5.5	150	65	85	36	20	25	3	114	10	24	49	10
YGL-160A/3	140	135	120	27	93	73	5.5	120	65	85	36	20	25	3	114	10	24	49	10
YGL-160A/4	170	135	120	27	93	73	5.5	150	65	85	36	20	25	3	114	10	24	49	10
YGL-200A/3	180	165	140	35	103	86	7	160	90	115	50	25	30	3.5	134	11	27	79	15
YGL-200A/4	230	165	140	35	103	86	7	210	90	115	50	25	30	3.5	134	11	27	79	15
YGL-250A/3	180	165	140	35	103	86	7	160	90	115	50	25	30	3.5	134	11	27	79	15
YGL-250A/4	230	165	140	35	103	86	7	210	90	115	50	25	30	3.5	134	11	27	79	15
YGL-315A/3	230	234	140	50	138	116	7	210	140	145	65	32	38	5	205	11	37	94	20
YGL-315A/4	290	234	140	50	138	116	7	270	140	145	65	32	38	5	205	11	37	94	20
YGL-400A/3	230	234	185	50	138	116	7	210	140	145	65	32	38	5	205	11	37	94	20
YGL-400A/4	290	234	185	50	138	116	7	270	140	145	65	32	38	5	205	11	37	94	20
YGL-500A/3	230	250	185	50	138	116	7	210	140	145	65	40	45	6	215	12.5	38	94	20
YGL-500A/4	290	250	185	50	138	116	7	270	140	145	65	40	45	6	215	12.5	38	94	20
YGL-630A/3	230	250	185	50	138	116	7	210	140	145	65	40	45	6	215	12.5	38	94	20
YGL-630A/4	290	250	185	50	138	116	7	270	140	145	65	40	45	6	215	12.5	38	94	20

YGL-63~3150A

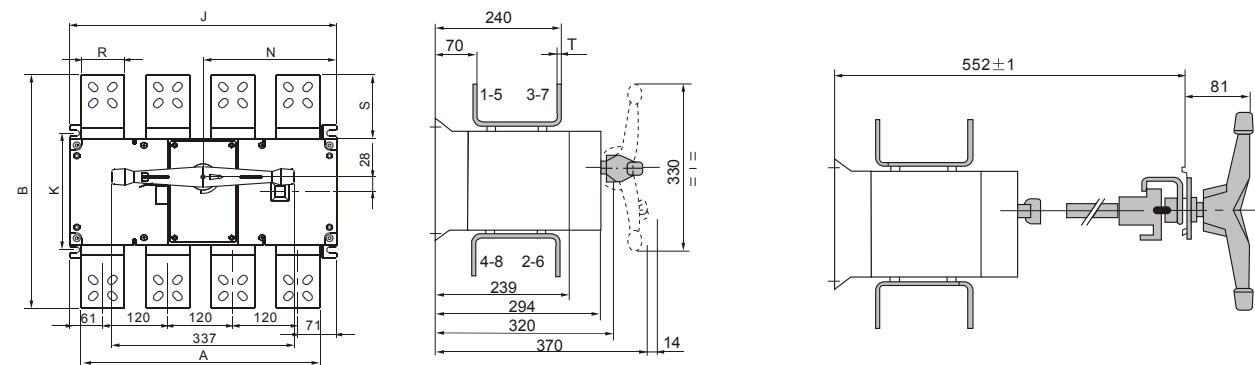
Series Load-isolation Switch

YGL-1000~3150A Outline and installation dimensions



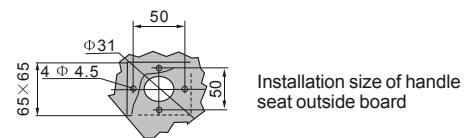
Direct operation of YGL-1000~1600A

Operation outside YGL-1000~1600A/J board

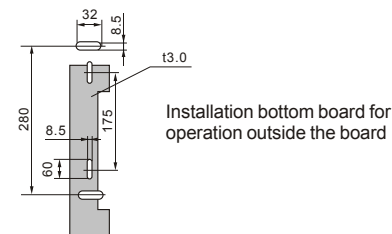


Direct operation on front face YGL-2000~2500A

Operation outside YGL-2000~2500A

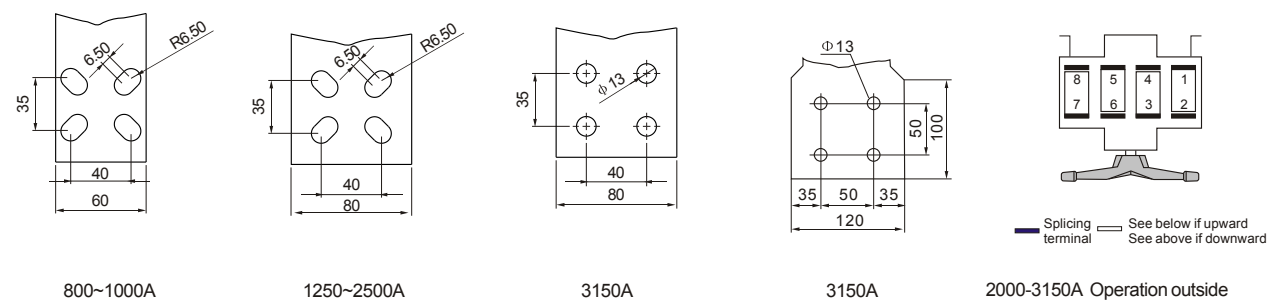


Installation size of handle seat outside board



Installation bottom board for operation outside the board

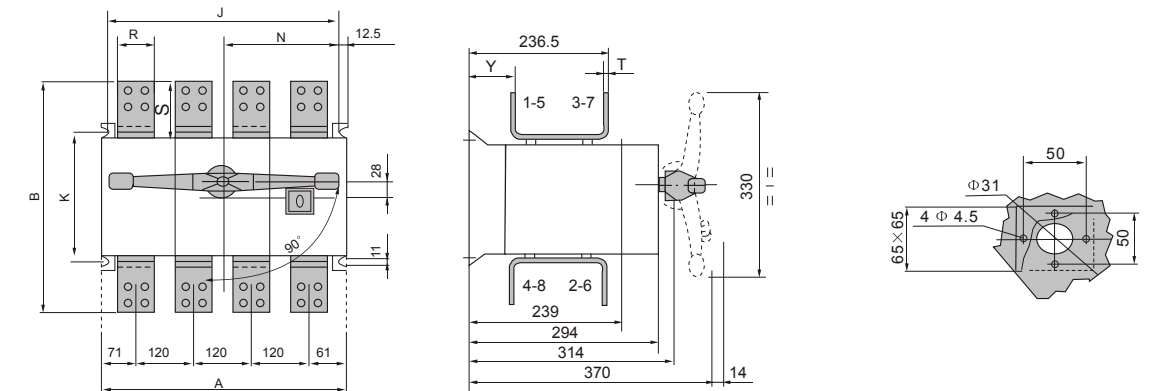
Connecting terminal



YGL-63~3150A

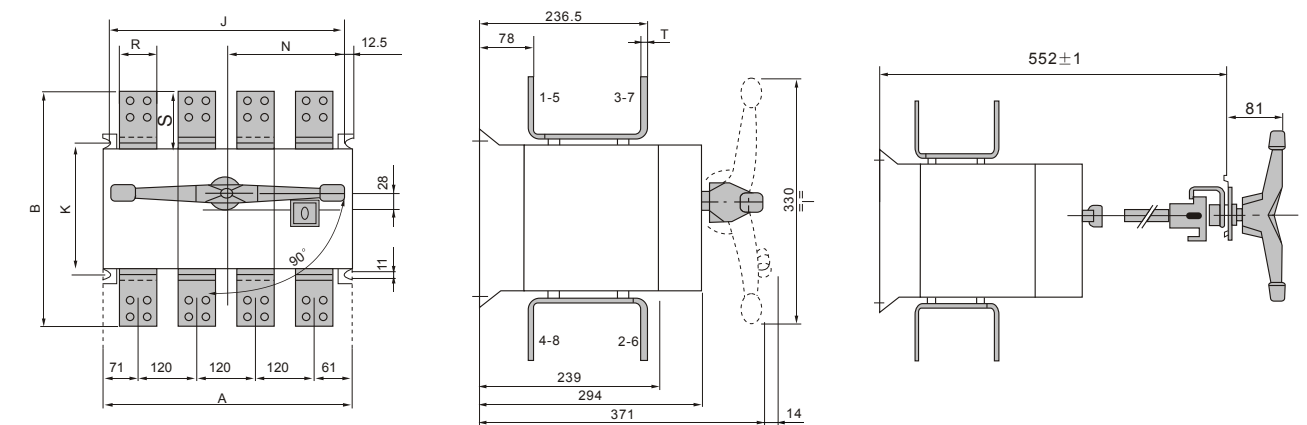
Series Load-isolation Switch

YGL-1000~3150A Outline and installation dimensions



Direct operation on front face YGL-3150A

Installation size of front face cabinet outside YGL-3150A



Direct operation on front face YGL-3150A

Operation outside YGL-3150A

Specification	External Dimension and Installation Dimension								
	A	B	J	K	N	R	S	T	Y
YGL-1000A/3	378	328	354	135	173	60	64	8	48
YGL-1000A/4	492	328	440	135	246	60	64	8	48
YGL-1250A/3	378	336	354	135	173	80	68	8	48
YGL-1250A/4	492	336	440	135	246	80	68	8	48
YGL-1600A/3	378	336	354	135	173	80	68	10	49
YGL-1600A/4	492	336	440	135	246	80	68	10	49
YGL-2000A/3	378	422	354	240	173	80	111	10	95
YGL-2000A/4	492	422	440	240	246	80	111	10	95
YGL-2500A/3	378	432	354	240	173	80	116	15	95
YGL-2500A/4	492	432	440	240	246	80	116	15	95
YGL-3150A/3	378	442	354	240	173	80	121	20	95
YGL-3150A/4	492	442	440	240	246	80	121	20	95