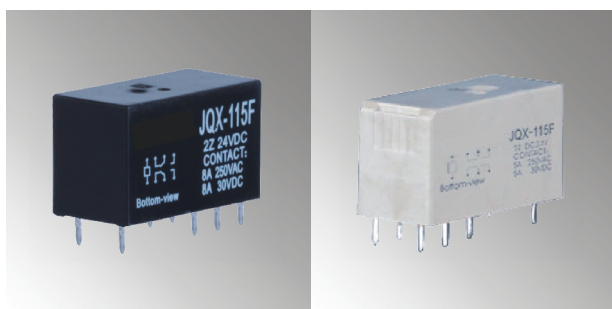


PCB RELAY



JQX-115F

Contact specification

Contact form	1Z、1H、1D	2Z 2H 2D
Contact resistance	≤100mΩ (1A 6VDC)	
Contact material	AgCdO AgSnO ₂	
Contact capacity	16/12A 250VAC/30VDC	8A 250VAC/30VDC

Coil specification

Rated coil power	DC:0.4W; AC:0.75V A
------------------	---------------------

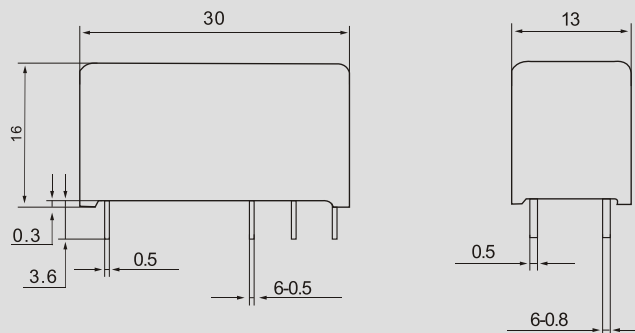
Coil data

	Nominal voltage V	Operate voltage V	Release voltage V	Coil resistance Ω + 10%
DC	5	≤75%Un	≥10%Un	62
	6			90
	12			360
	24			1440
	48			5760
	110			22830
AC	24	≤80%Un	≥15%Un	350
	115(110-120)			8100
	230(220-240)			32500

Ohmic value more than 5000, tolerance to ±15%

Outline dimension、Mounting holes (Bottom view)、Wiring diagram (Bottom view)

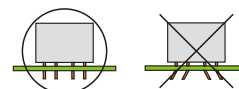
JQX-115F Outline dimension



JQX-115F

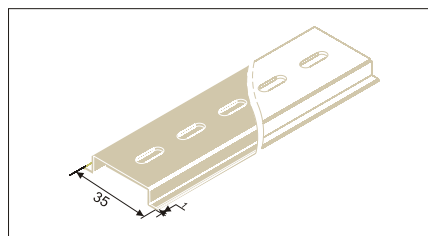
Technical specification

Insulation resistance	≥1000MΩ (500VDC)
Dielectric strength	Between coil and contacts ≥5000VAC 1min
	Between open contacts ≥1000VAC 1min
Operate / Release time	Between contacts of different poles ≥2500VAC 1min
	≤15ms/10ms
Terminal type	PCB mounting



PCB socket

Socket



Bottom view installation size and wiring diagram

Type	Bottom view mounting hole size	C circuit diagram	A circuit diagram	B circuit diagram
1C 12A 3.5mm				
1C 12A 5mm				
1C 16A 5mm				
2C 8A 5mm				